

BARCELONA

CINEMA
WORSHIP
EDUCATION
SUITE SEATING
PERFORMING ARTS

Model 3810 fixed
Model 3820 lounge
Model 3830 rocker



DESIGN FEATURES

- 38" back height featuring an average 5.5" of high density closed cell foam
- 16 gauge inner tube steel back frame
- Comfortable, quiet long life Dymetrol™ seat suspension (no springs to wear out)
- Inner seat frame is high-impact, glass filled, compression molded plastic
- Zero maintenance gravity lift seat mechanism
- Available in 3 back configurations: fixed, lounge and full rocker
- Lifetime warranty on structural steel

AMERICAN★CRAFTED

The BARCELONA chair by GREYSTONE is a popular choice among the educational, suite and theatre markets. With a 38" back height, the BARCELONA features a low profile that is often used on sloped floors where sightlines might present a challenge.



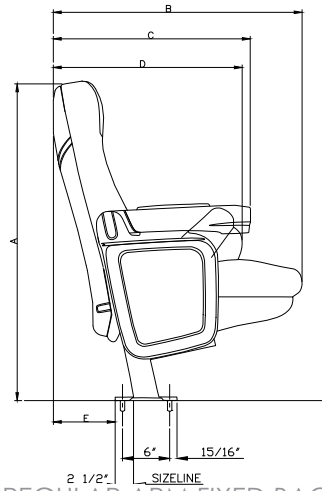
STANDARD PRODUCT FEATURES

- 14 gauge steel standard
- Metal finish - powder coat
- Inner back assembly - 38" high back with molded, high density foam, over 16 gauge tubular steel back
- Outer back - one piece injection molded with textured surface
- Seat - fabric covered with a minimum of 3" thick high density molded foam
- Armrest - injection molded plastic arm with plastic or fabric insert
- Fabric - standard specification for woven upholstery
- End panel - blow molded plastic end panel with plastic or fabric insert
- ADA (American Disabilities Act) compliant
- Fire code - TB 117 compliant

OPTIONAL PRODUCT FEATURES

- Tablet arms - 22"-24" chairs, left or right hand
- Armrest - plastic cupholder, solid wood or laminate
- End panel - upholstered, solid wood, or laminate
- Aisle lights - beacon
- Armless center standard option
- Number & letter plates
- Custom logo & donor plates
- Fully upholstered seat
- Data and power track
- Removeable bases - 1, 2, & 3 chair units
- California TB 133 upholstery fabric liner
- Broad array of fabric offering
- Tufts and pleats, premium sewing patterns, and embroidery available
- Hymnal/book holders

CUPHOLDER - FIXED OR LOUNGER FLOOR MOUNT



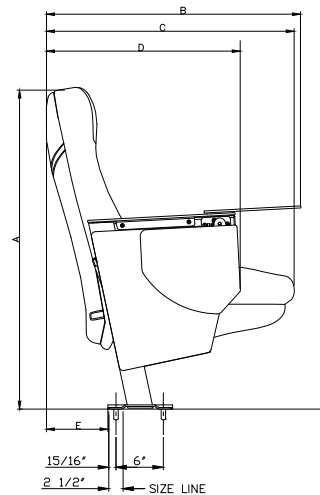
Dimensions
 A=Back height
 B=Seat in down position
 C=Rear of back to front of armrest
 D=Seat in up position
 E=Back pitch allowance

DIM	16 °	20 °	24 °
A	37 7/8	37 1/8	36 1/4
B	30 5/8	32 1/8	34
C	25 1/8	26 5/8	28 1/2
D	24 1/4	25 3/4	27 5/8
E	8 1/8	9 5/8	11 1/2

DIMENSIONS

Seat width fixed	20"-24"
Seat width rocker	21"-25"
Seat width lounger	20"-24"
Back height	38"
Folding tablet arm	22"-24"
Regular tablet arm	105 Sq. inches

TABLET ARM - FIXED BACK FLOOR MOUNT



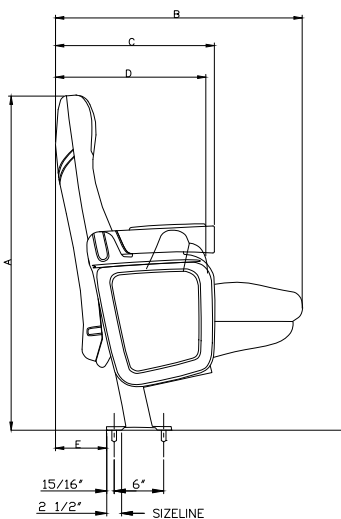
Dimensions
 A=Back height
 B=Seat in down position
 C=Rear of back to front of armrest
 D=Seat in up position
 E=Back pitch allowance

DIM	16 °	20 °	24 °
A	37 7/8	37 1/8	36 1/4
B	30 5/8	32 1/8	34
C	25 1/8	26 5/8	28 1/2
D	24 1/4	25 3/4	27 5/8
E	8 1/8	9 5/8	11 1/2

DIM	16 °	20 °	24 °
A	37 7/8	37 1/8	36 1/4
B	30 5/8	32 1/8	34
C	25 1/8	26 5/8	28 1/2
D	24 1/4	25 3/4	27 5/8
E	8 1/8	9 5/8	11 1/2

Dimensions
 A=Back height
 B=T-arm in up position
 C=Seat in down position
 D=T-arm in down position
 E=Back pitch allowance

REGULAR ARM FIXED BACK



www.GSSEATS.com